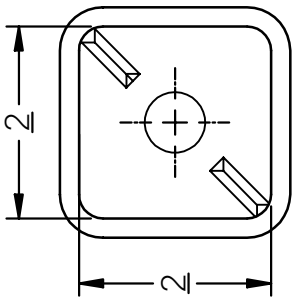
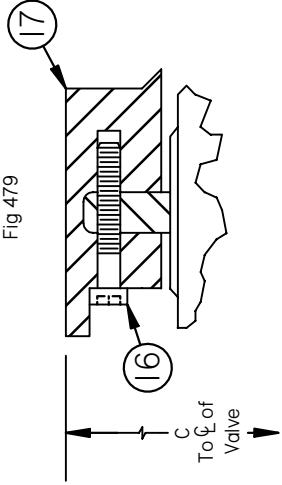
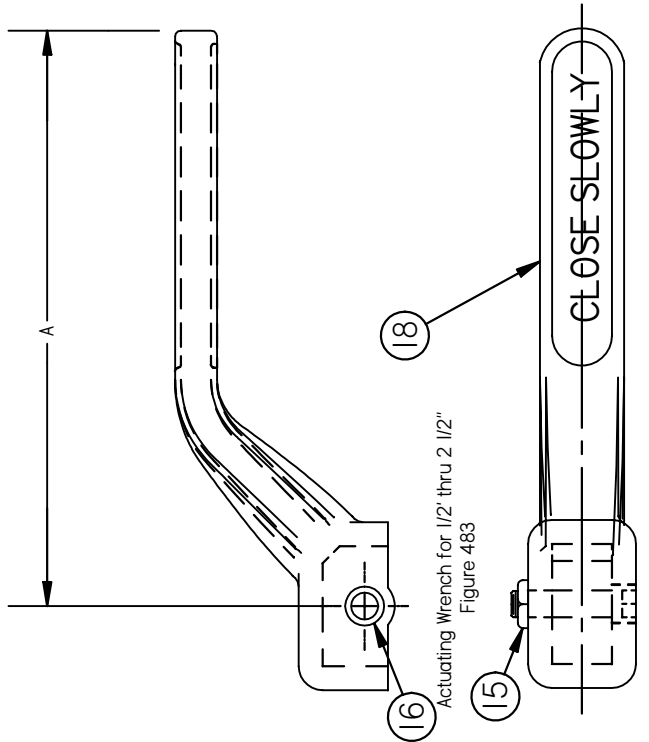
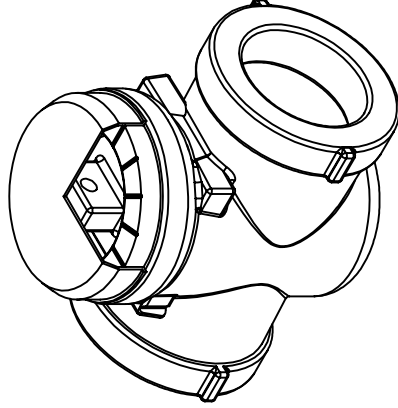
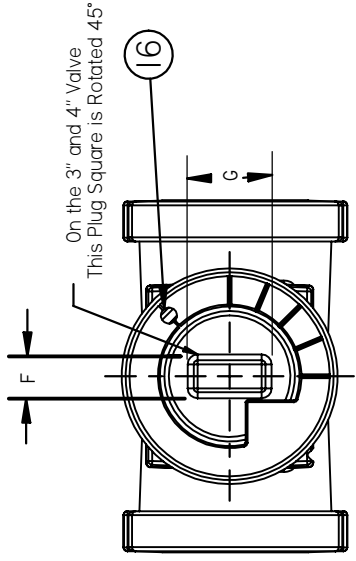
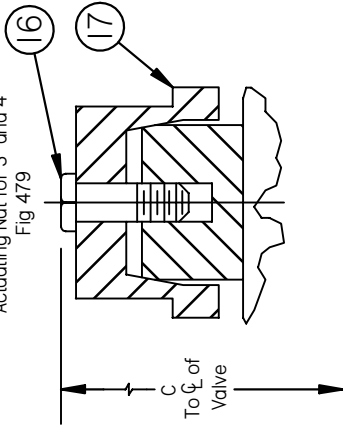


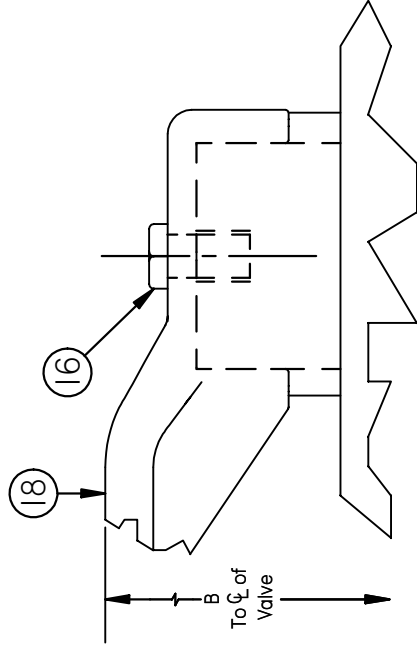
Actuating Nut for 1/2" thru 2 1/2"
Fig 479



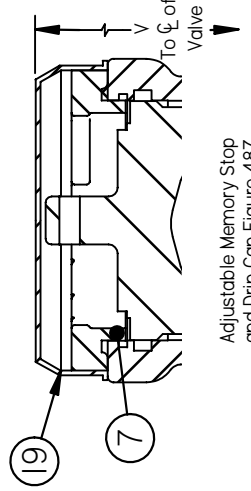
Actuating Nut for 3" and 4"
Fig 479



Actuating Wrench for 1/2" thru 2 1/2"
Figure 483



Actuating Wrench for 3" and 4"
Figure 483



Adjustable Memory Stop
and Drip Cap Figure 487