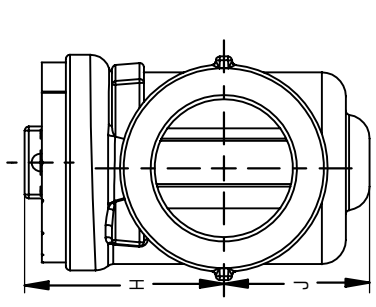
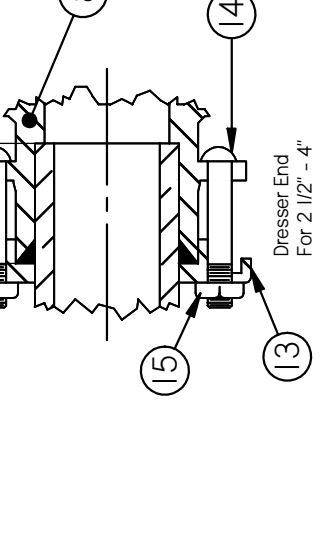
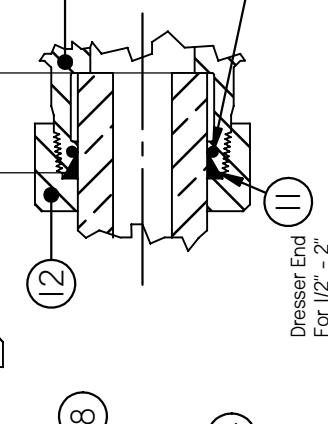
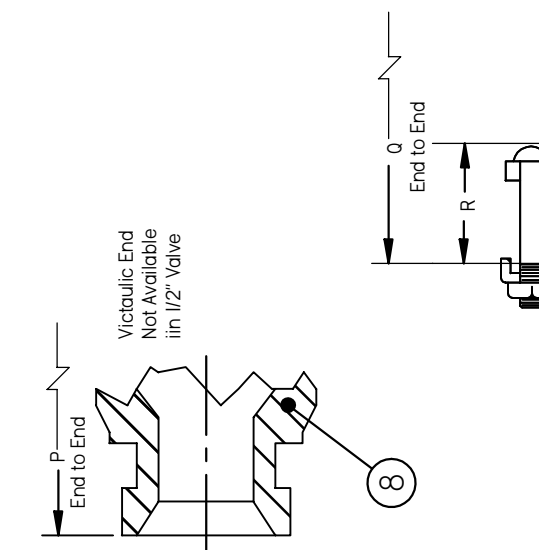
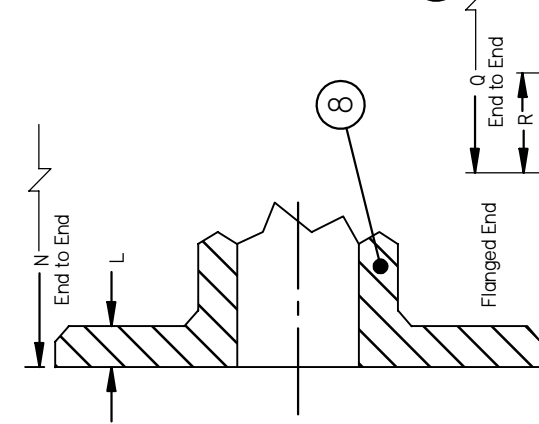
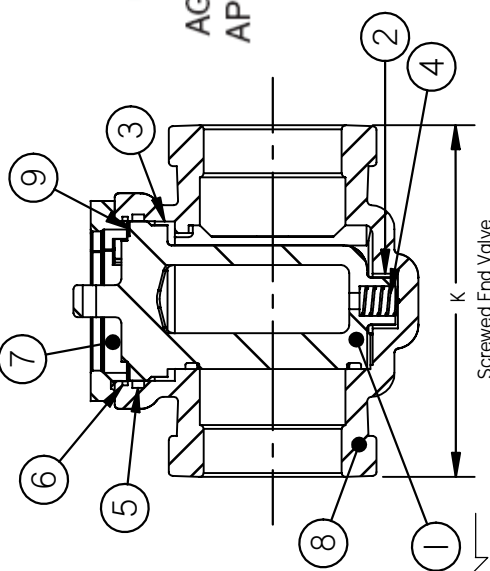


No.	Part Name	Plug	U	V
1	Bottom Bushing			212
2	Top Bushing			538
3	Spring			228
4	"O" Ring			579
5	Snap Ring			281
6	Adjustable Memory Stop			714
7	Valve Body			300
8	Washer			762
9	Retainer			319
10	Gasket			810
11	Follower Nut			347
12	Follower			881
13	Bolt			419
14	Nut			1064
15	Screw			469
16	Actuating Nut			1191
17	Actuating Wrench			600
18	Cap			1524
19				
20				

Valve Size	Dimensions																		
	Inches / Millimeters																		
	A	B	C	D	E	F	G	H	J	K	L	N	P	Q	R	S	T	U	V
1/2	6.00 1524	3.50 889	2.62 66.5	2.75 69.8	—	50 127	.81 206	2.03 51.6	1.25 31.8	3.25 82.6	38 97	4.25 108.0	—	4.56 115.8	1.25 31.8	—	—	—	212
3/4	6.00 1524	3.62 91.9	2.75 69.8	—	—	50 127	.81 206	2.16 54.9	1.44 36.6	3.75 95.2	41 10.4	4.62 117.3	4.31 109.5	4.81 122.2	1.41 35.8	—	—	—	228
1	6.00 1524	4.00 101.6	3.00 76.2	83 21.1	3.75 95.2	50 127	1.12 28.4	2.47 62.7	1.69 42.9	4.25 108.0	44 11.2	5.00 127.0	4.62 117.3	5.25 133.4	1.62 41.1	—	—	—	281
1 1/4	6.00 1524	4.25 108.0	3.25 82.6	91 23.1	4.00 101.6	50 127	1.12 28.4	2.72 69.1	1.88 47.8	4.75 120.6	50 12.7	5.50 139.7	5.00 127.0	6.00 152.4	1.88 47.8	—	—	—	300
1 1/2	6.00 1524	4.38 111.3	3.38 85.9	91 23.1	4.12 104.6	50 127	1.12 28.4	2.81 71.4	2.00 50.8	5.00 127.0	56 14.2	6.50 165.1	5.25 133.4	6.50 165.1	2.00 50.8	—	—	—	319
2	6.00 1524	4.75 120.6	3.62 91.9	106 26.9	4.62 117.3	50 127	1.12 28.4	3.16 80.3	2.31 58.7	5.50 139.7	62 15.7	7.00 177.8	5.62 142.7	7.38 187.5	2.25 57.2	—	—	—	347
2 1/2	6.00 1524	5.50 139.7	4.50 114.3	125 31.8	5.75 146.0	50 127	1.62 41.1	3.94 100.1	2.88 73.2	6.88 174.8	69 17.5	7.50 190.5	6.50 165.1	8.75 222.2	2.50 63.5	—	—	—	419
3	10.00 2540	5.75 146.0	5.50 139.7	—	—	366	366	4.66 118.4	3.25 82.6	7.50 190.5	75 19.0	8.00 203.2	7.12 180.8	9.50 241.3	2.50 63.5	10.88 276.4	13.25 336.6	3.50 88.9	469
4	12.00 3048	6.88 174.8	6.75 171.4	—	—	404	404	5.94 150.9	4.25 108.0	9.25 235.0	94 23.9	9.00 228.6	8.81 223.8	10.00 254.0	2.50 63.5	12.38 314.5	15.38 390.7	4.00 101.6	600

Furnished When Accessories Are Ordered

Drawing Shows Valve in Closed Position



# Key Port Valve<sup>®</sup>